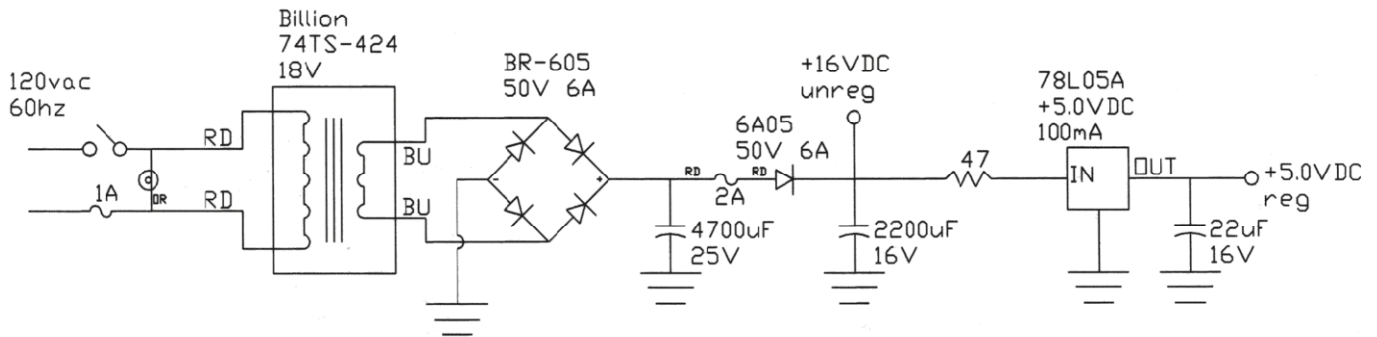


## VPI Model PLC Power Supply [S/N 726] DC Power Supply (original) © VPI 1985



## VPI Model PLC Power Supply [S/N 726] Output Stages (original) V1.00

